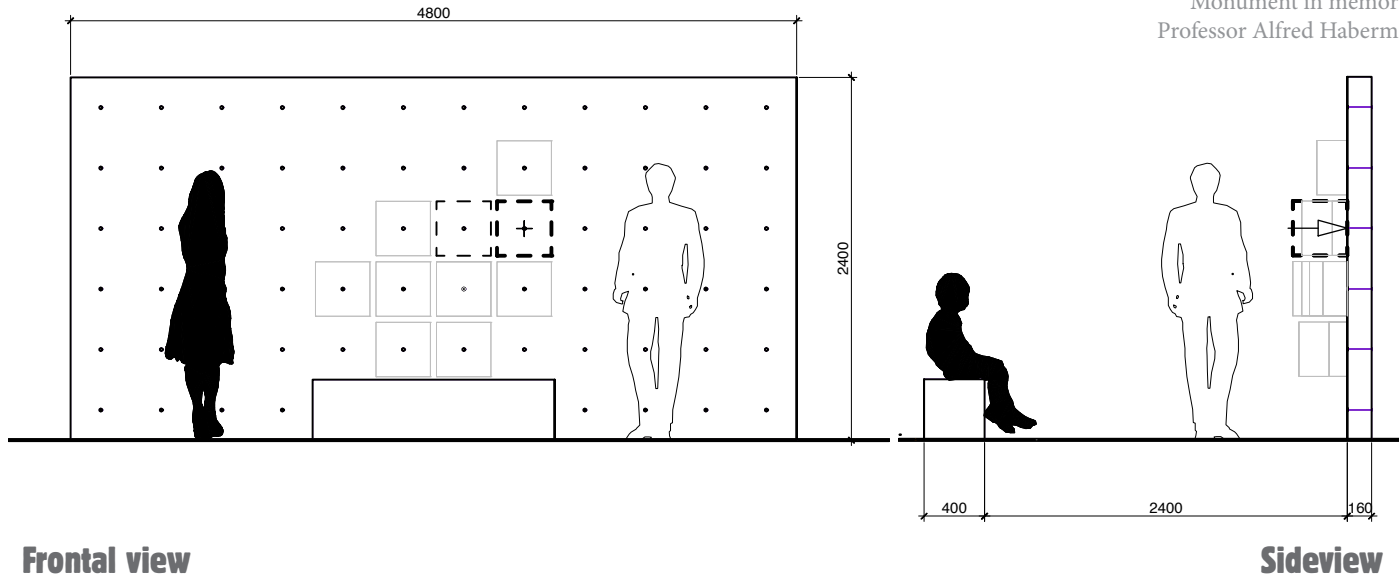


Collective-Epitaph with individual elements

Epitaph

Monument in memoriam
Professor Alfred Habermann

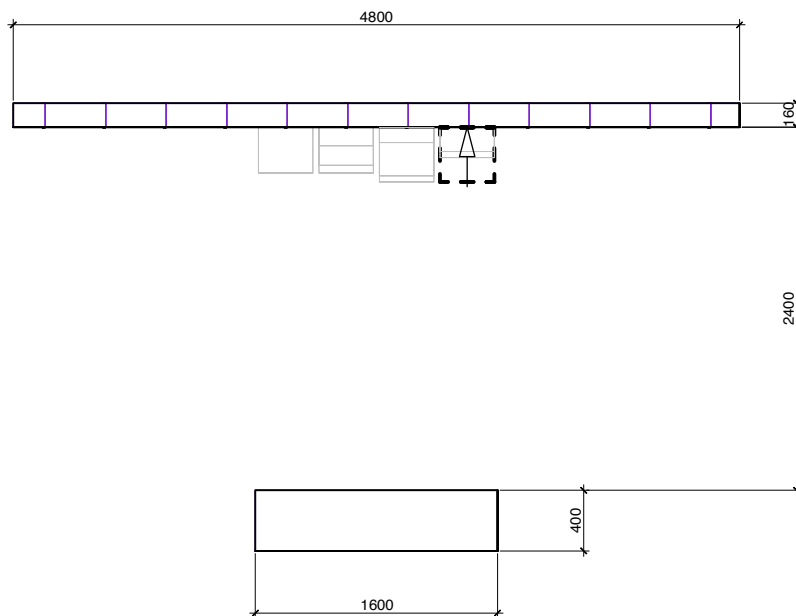
Individual contribution



Frontal view

Sideview

Ground plan



Technical Details:

Basic material:

130 x 60 x 30mm industrial steel

Maximum size of final object:

350 x 350 x 350mm

We have cardboard boxes as transport help and to define this maximum size of object.

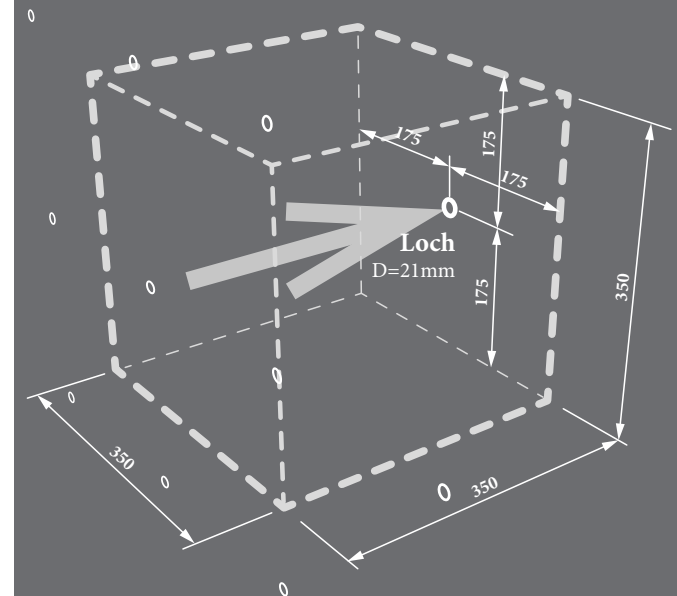
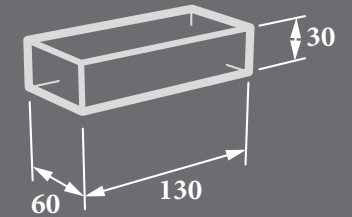
Fixing:

There is meant to be a hole of 21mm inner diameter for each individual object in the surface of the framing wall. The mode of fixing depends on every contributor him or herself.

Surface treatment of the finished element:

natural, brushed
(no oil, no wax)

Basic material



**Imaginary spatial limits
for each individual contribution**

„Schule-Wirken-Prägung“ is a project of
the Community of Ybbsitz
and the Community of Brtnice

and it is funded during the project
FMP/KPF AT-CZ 2014-2020 within the program
„INTERREG V-A Austria - Czech Republic“
for the program period 2014-2020,
supported and co-financed by NÖ.Regional.GmbH.

INTERNATIONALES

Schmiedefest

FERRACULUM

Ybbsitz, 15., 16. and 17. June²⁰¹⁸

Contact

Community of Ybbsitz

Markt 1
AT-3341 Ybbsitz

Project manager
Frau Daniela Kerschbaumer
gde.kerschbaumer@ybbsitz.at
+43 7443 86 601-14

ybbsitz —
Schmiedezentrum

noe  regional

ybbsitz —
Schmiedezentrum

**SCHULE
WIRKEN
PRÄGUNG**

in memoriam
Prof. Alfred Habermann

Foto: B. Sonnleitner

Epitaph

Monument in memoriam
Professor Alfred Habermann

Dear blacksmith,
dear metal designer,
student, admirer or friend of
professor Alfred Habermann!

We would like to invite you to forge an
element for a memorial (Epitaph). You should
have an inner reflection and set a materialized
expression of your spiritual commemoration
to the grand master blacksmith.

Your element will be part of a collective
sculpture for dignified remembrance on
Alfred Habermann's 10th anniversary of
death.

The Elements for the collective sculpture will
be collected and presented at FERRACULUM
in Ybbsitz in June 2018.

If you would like to give your contribution,
then we kindly ask you to submit your
element in Haus Ferrum at your arrival to
the Ferraculum in Ybbsitz.

You also have the chance to produce your
element in one of the forges of Ybbsitz.



Interreg 
Österreich-Tschechische Republik
Europäischer Fonds für regionale Entwicklung